

## SQUARE Infrared Heated Treatments Table

Fabio Alemanno Design Ltd

### Technical Specification

ID: GB169898424  
Biggleswade SG18 0NU - UK  
Copertino I-73043 - Italy

### SQUARE EMPIRE



Discover the world's most elegant expression of "thermotherapy".  
Natural Infrared Energy embodied in an artisan, marble sculpture.

### Description:

- Infra-Red Heated Marble Table for professional treatments or relaxation with Semiprecious Stone and Black Marble on metal construction;
- Perfect for Wet massage, also available with equipment for: soap brush massages, peelings, hammam, hot stone or ayurvedic treatments. High quality mountings, Extensible shower and rinsing hose.
- Internal radiating heat system up to 105°F/41.5°C;
- Electrical Elevation from 66 cm to 83 cm suitable;
- Suitable for both indoors and outdoors;
- Available with different marbles and colours combination;
- Unlimited use possibility thanks incorporate rollers.

### Specification:

General protection:	IP54
Temperature:	available up to 45°C
Heated Area standard	1 zone holohedral;
Heating System Standard:	Electric space heating cables
Voltage Standard System:	220-240V/800W; 110-120V/950W
Thermostat:	Digital; IP65 UL-TÜV approved
Power outlet:	European Bosch standard; IP54
Lift for automatic elevation (Upgrade):	Linear actuators; UL-TÜV approved; IP65
Certifications:	UL-TÜV approved components

### **Fabio Alemanno Design Ltd**

7 East Walk  
Biggleswade SG18 0NU - UK  
Phone: +44 20 8144 9239

**Factory: Artigiani del marmo**  
Via Galatina 89  
I-73043 Copertino - Italy  
Phone: +39 0832 949281

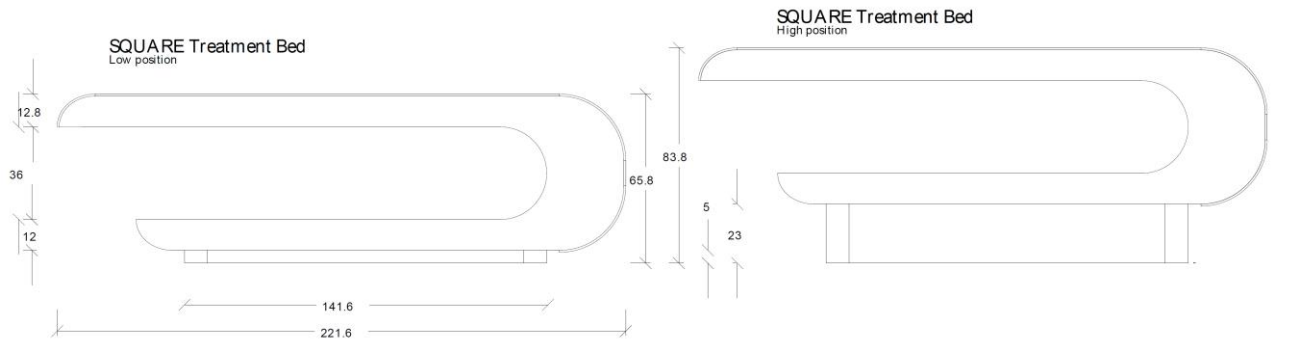
email: [fabio@alemanno.de](mailto:fabio@alemanno.de)  
web: [www.fa-design.co.uk](http://www.fa-design.co.uk)

[www.fabio-alemanno-design.com](http://www.fabio-alemanno-design.com)

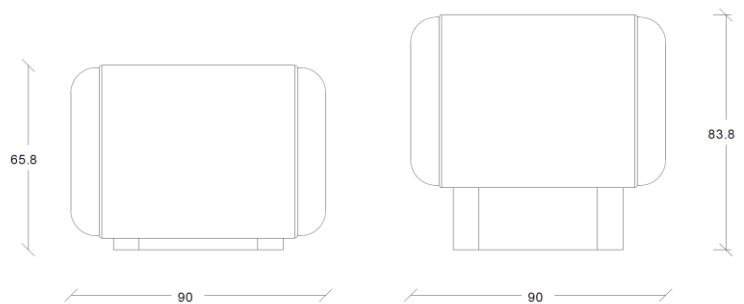
[www.alemanno.de](http://www.alemanno.de)

## SQUARE Infrared Heated Treatments Table

### Technical Drawings



<b>Construction Base:</b>	Rust-free metal & Fibreglass
<b>Covering finish:</b>	Metallic lacquer
<b>Weight:</b>	125kg
<b>Dimension:</b>	length: 221.6cm; width 90cm; height: 65.8 – 83.8cm.
<b>Package dim:</b>	length: 240cm; width 105cm; height: 110cm
<b>Package weight:</b>	190kg:
<b>total weight:</b>	315kg



## SQUARE Infrared Heated Treatments Table

### Features

- **Our Infrared Heated Table** are carved from a single marble block and supported by a highly robust and mobile construction.
- **Contemporary design**, finest materials and elegant colors offers variety and unlimited applications.
- **Digital thermostat** allowing for temperatures up to 45°C.
- **Warmth radiated** by the marble envelops the entire body enhancing its innate regenerative processes.
- **The handcrafted** silky smooth surface offers an unmatched comfort.
- **Electro-smog free** Heating System.
- **Hygienically perfect** thanks to the joint-less surface of the marble surface.
- **Equipped with floor protective** rollers for extreme freedom of use and mobility.
- **Electrical elevation system.**
- **Suitable for** in-outdoor and wet areas (IP54).
- **All components** made in Germany and TÜV-UL approved.
- **Plug in & Play** installation, no further technical or monetary investment is necessary.
- **Five year guarantee** for all electronic and mechanical components.

### Fabio Alemanno Design Ltd

7 East Walk  
Biggleswade SG18 0NU - UK  
Phone: +44 20 8144 9239

**Factory: Artigiani del marmo**  
Via Galatina 89  
I-73043 Copertino - Italy  
Phone: +39 0832 949281

email: [fabio@alemanno.de](mailto:fabio@alemanno.de)  
web: [www.fa-design.co.uk](http://www.fa-design.co.uk)

[www.fabio-alemanno-design.com](http://www.fabio-alemanno-design.com)

[www.alemanno.de](http://www.alemanno.de)