

CLEOPATRA
Infrared Heated Chaise Lounge
Technical Specification

Fabio Alemanno Design Ltd

ID: GB169898424
Biggleswade SG18 0NU - UK
Copertino I-73043 - Italy

CLEOPATRA CLASSICO

Technical Specification



Discover the world's most elegant expression of "thermotherapy".

Natural Infrared Energy embodied in an artisan, marble sculpture.

Diva is available in the version LITHO (assembled marbles) and MUSIVE (marble-ceramic-glass mosaic). The model "Classico" is unique in its structure combining both design and technology. With its adjustable tilt angle it offers optimum relaxation and a zero gravity effect. Its precise ergonomics and its characteristic versatility make "Classico" the perfect choice for professional use.

Description:

- Infrared Heated Loungers Sculpture, carved out from a single Marble block on metal construction. Available in Limestone (IVOIRE), in White Statuario marble (BLANCHE), in Black Marquinia marble and in many different marbles or stones on request.
- Ergonomically designed;
- Internal radiating heat system up to 105°F/41.5°C;
- Suitable for both indoors and outdoors;
- Maintenance free;
- Unlimited use possibility thanks incorporate rollers.

Specification:

- | | |
|------------------------------------------------|-----------------------------------------|
| - General protection: | IP54 |
| - Temperature: | available up to 41.5°C/105°F |
| - Heated Area standard | 1 zone holohedral; |
| - Heating System Standard: | Electric space heating cables |
| - Voltage Standard System: | 220-240V/800W; 110-120V/950W |
| - Thermostat: | Digital; IP65 UL-TÜV approved |
| - Power outlet: | European Bosch standard; IP54 |
| - Lift for automatic tilting (Upgrade): | Linear actuators; UL-TÜV approved; IP65 |
| - Certifications: | UL-TÜV approved components |

Fabio Alemanno Design Ltd

7 East Walk
Biggleswade SG18 0NU - UK
Phone: +44 20 8144 9239

Factory: Artigiani del marmo
Via Galatina 89
I-73043 Copertino - Italy
Phone: +39 0832 949281

email: fabio@alemanno.de
web: www.fa-design.co.uk

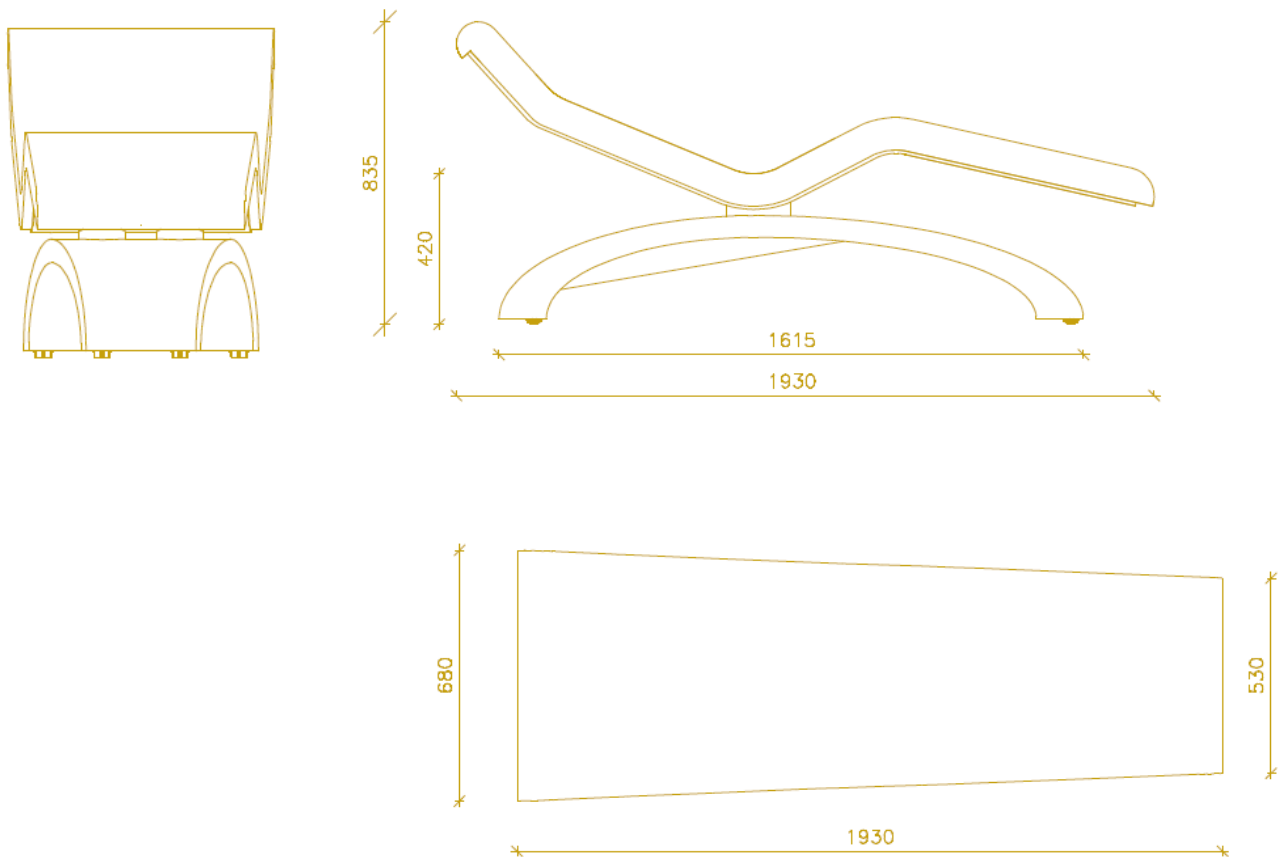
www.fabio-alemanno-design.com

www.alemanno.de

Cleopatra Hot Stone Chaise Longue

CLEOPATRA CLASSICO

Technical Drawings



Construction Base:
Construction Base covering:
Covering finish:
Wheels:
Weight:
Dimension:

Rustfree metal
Fibreglass
Metallic lacquer
4 Floor protective vulcanized rubber; bearing 100kg/each
235kg
length: 193cm; width 68cm; height: 84cm

Fabio Alemanno Design Ltd

7 East Walk
Biggleswade SG18 0NU - UK
Phone: +44 20 8144 9239

email: fabio@alemanno.de
web: www.fa-design.co.uk

Factory: Artigiani del marmo
Via Galatina 89
I-73043 Copertino - Italy
Phone: +39 0832 949281

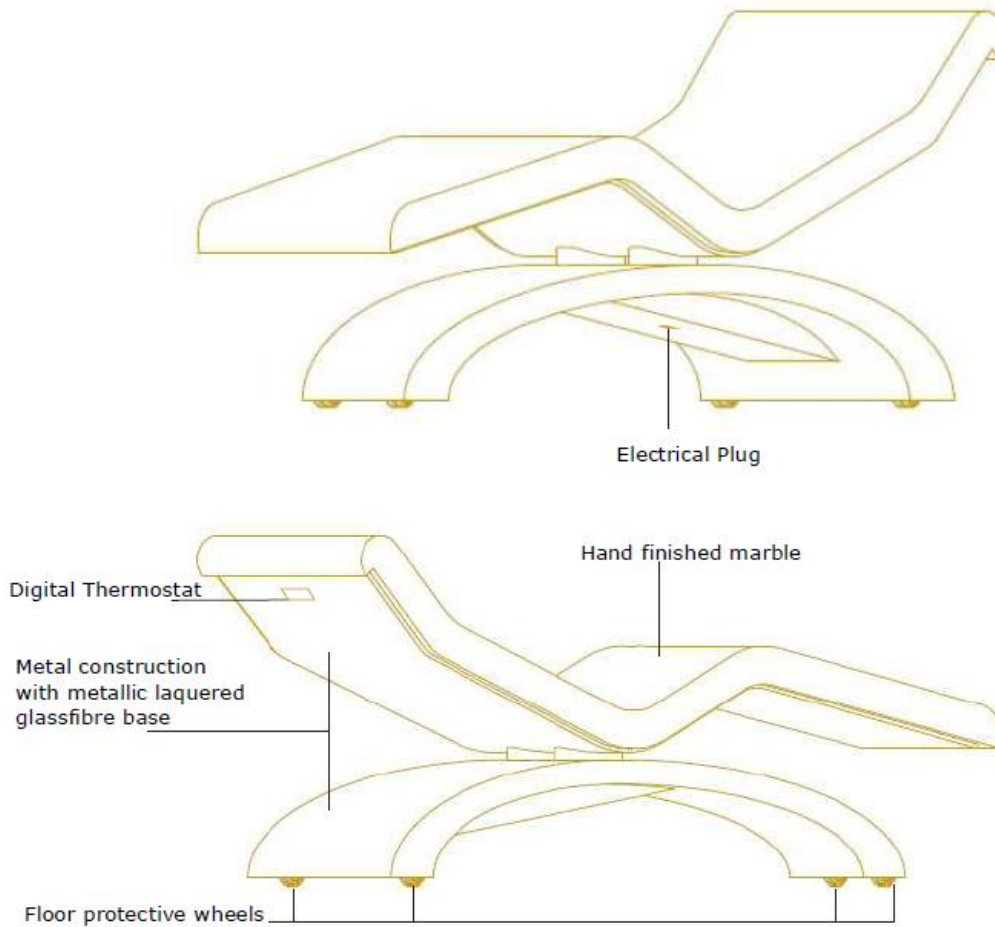
www.fabio-alemanno-design.com

www.alemanno.de

Cleopatra INFRARED HEATED LOUNGERS

CLEOPATRA CLASSICO

Technical Drawings



If fixed installation is needed Cleopatra could be delivered without wheels.
In this case the connection could be hidden in the base.

Fabio Alemanno Design Ltd

7 East Walk
Biggleswade SG18 0NU - UK
Phone: +44 20 8144 9239

email: fabio@alemanno.de
web: www.fa-design.co.uk

www.fabio-alemanno-design.com

Factory: Artigiani del marmo
Via Galatina 89
I-73043 Copertino - Italy
Phone: +39 0832 949281

www.alemanno.de